

## CAN LC 400 & 800



**INSTALLERS: PLEASE READ ALL INSTRUCTIONS BEFORE INSTALLING AND USING THIS SYSTEM.**

**IT IS RECOMMENDED TO WAIT UNTIL THE ENTIRE SYSTEM IS PRESSURIZED AND RE-CHECK FOR ANY LEAKS BEFORE LEAVING INSTALLATION SITE.**

**IT IS NORMAL FOR SOME BLACK CARBON FINES TO APPEAR IN THE WATER WHEN EMPTYING THE FIRST 2 TANKS OF WATER. THE FIRST 2 TANKS OF WATER PRODUCED SHOULD BE EMPTIED AND NOT USED.**

## Table of Contents

	<b>PAGE</b>
<b>Specifications</b>	<b>2</b>
<b>How Your System Works</b>	<b>2</b>
<b>Before You Start</b>	<b>3</b>
<b>Installing Tubing Into Fittings</b>	<b>3</b>
<b>Installing the Membrane</b>	<b>3</b>
<b>Installing the Filters &amp; Connections</b>	<b>4</b>
<b>Electrical Diagrams</b>	<b>5</b>
<b>Flow Diagrams</b>	<b>6</b>
<b>Parts List</b>	<b>7</b>
<b>Trouble Shooting</b>	<b>8</b>
<b>Warranty</b>	<b>8</b>

## Specifications

Model	Max. Permeate Flow <sup>1</sup>	Recovery %	Rejection <sup>2</sup>	Qty Membranes	Operating Pressure	1 Stage	2nd Stage	Dimensions HxWxD Inches	Connections	Voltage
CAN LC 400	400 GPD	33% - 50%	> 95%	1	120 PSI	10" 5 Micron	10" GAC	18 X 11 X 9	3/8 TUBE	115V
CAN LC 800	800 GPD	33% - 50%	> 95%	1	120 PSI	20" 5 Micron	20" GAC	29 X 15 X 11	1/2 TUBE	115V

<sup>1</sup> The maximum permeate flow as defined by the membrane specifications and the feed water conditions of 2,000 ppm NaCl, 77 deg. F, 200 psi operating to atmosphere.

<sup>2</sup> TDS rejection and water recovery are variable and can be affected by temperature and feed water conditions

## How Your System Works

For best results it is recommended to install the R/O on a COLD softened water supply. The RO systems use four stages of treatment to filter your water:

- Stage 1** - Remove sand, dirt, sediment
- Stage 2** - Remove chlorine, taste & odors, very fine particulates
- Stage 3** - Reduce total dissolved minerals
- Stage 4** - Polish water for refined taste

If water pressure drops below 5 psi, the system will shut down. When the pressurized storage tank reaches 36 psi, the system (at the end of each tank full cycle) will automatically perform a 20 second fast flush to clean the membrane and prolong its the life expectancy. When the tank pressure reaches 22 psi, the system will start producing water again.

### Recommended Filter Change Schedule

Your filters require changing on a regular basis. Instructions to change them are on page 8. The schedule below is the minimum recommendation. Depending on your water conditions the filters may need to be changed more often.

#### Filter Cartridges

Pre-filter (Sediment)  
Pre-filter (Activated Carbon)  
Post Filter (Activated Carbon)  
R/O membrane

#### Change Schedule

Every 12 months  
Every 12 months  
Every 12 months  
Every 24-36 months

## Before You Start

- Your system contains filters which must be replaced periodically for proper operation. (Read all steps and guides carefully before installing and using your RO system. Follow all steps exactly to correctly install.
- The system is designed to be used on potable water supplies only. If water is non-potable, additional pre-treatment will be required.
- Do not use for the treatment of water that is visually contaminated (cloudy) or has an obvious contamination source, such as contamination by raw sewage.
- All plumbing should be done in accordance with local codes and requirements.
- Do not install the system outside, or in extreme hot or cold temperatures. Temperature of the water supply to the R/O system must be between 40°F and 100°F. Do not install on hot water.

## Installing Tubing Into Fittings

- Step 1** Cut the tube square and remove burrs and sharp edges. Ensure that the outside diameter is free from score marks. For soft or thin walled plastic tubing we recommend the use of a tube insert.
- Step 2** Push the tube into the fitting and up to the tube stop
- Step 3** Pull on the tube to check that it is secure. Test the system before use.



## Installing the Membrane

When handling membranes be sure hands are clean and sanitized or wear surgical gloves.

1. Remove the blue quick connect clip and pull the inlet tubing to the membrane cap out.
2. Loosen and remove RO membrane cap using wrench provided.
3. Using scissors or a knife, cut the end of the plastic wrapper from the membrane. Leave it in the wrapper so you do not touch the membrane directly with your fingers.
4. Insert the membrane all the way into the housing.
5. Check that the o-ring is in place and install the cap onto the RO membrane housing. Tighten cap firmly by hand. Using the wrench provided tighten an addition 1/4 to 1/2 turn.



## Installing the Filters & Connections

When handling filter cartridges be sure hands are clean and sanitized or wear surgical gloves.

1. Loosen and remove filter housings using wrench provided.
2. Remove plastic wrapper from filter cartridges. Check the o-ring to insure it is lubricated. If not, use NSF approved silicon grease. Install the o-ring into the filter housing. Install the filters into the correct locations as indicated in Figure 1 on page 4. Insure the Carbon cartridges are installed with the rubber gasket at the top.
3. Install and tighten the filter housings firmly by hand. Use the wrench provided to tighten an addition 1/4 to half turn. Do not over tighten.



10" 5 Micron Sediment Filter

10" GAC Carbon Filter

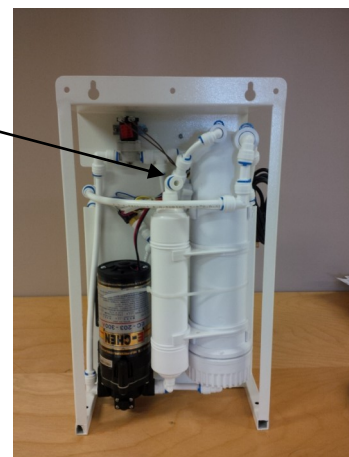


Inlet Connection



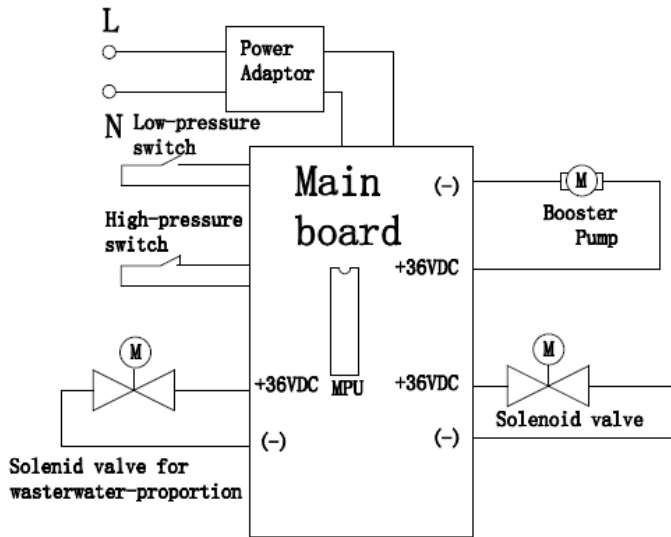
Product Water Connection

Drain Connection

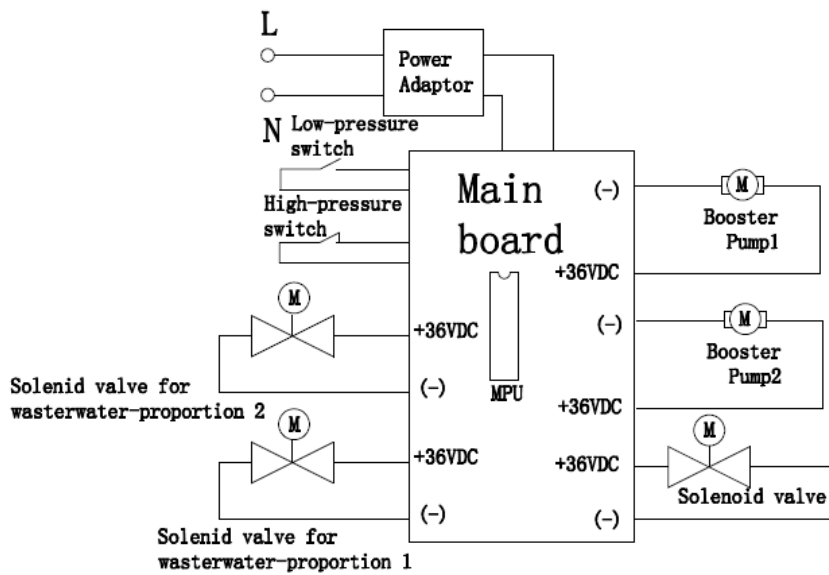


# Electrical Diagrams

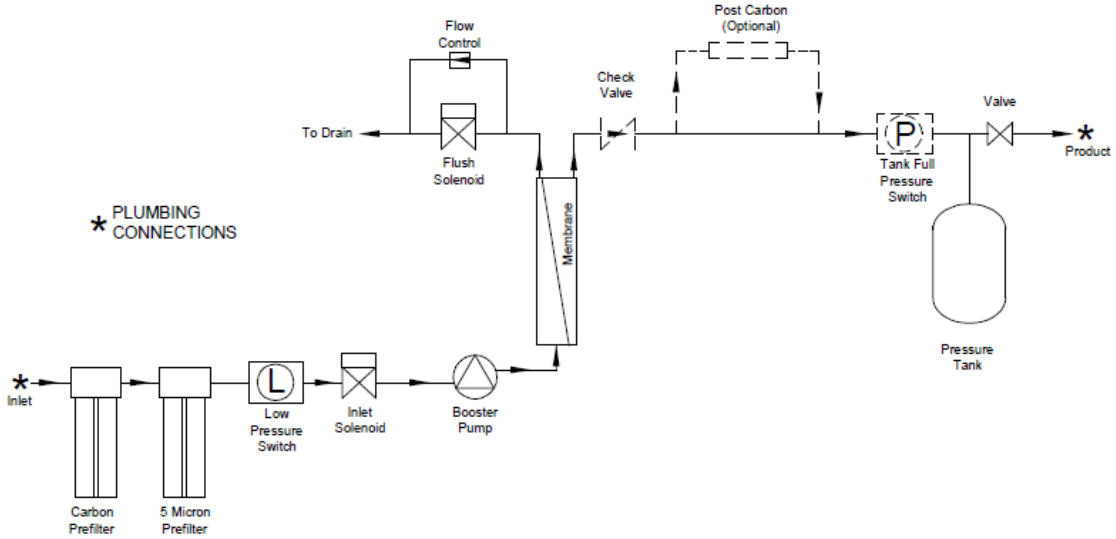
## CAN LC 400



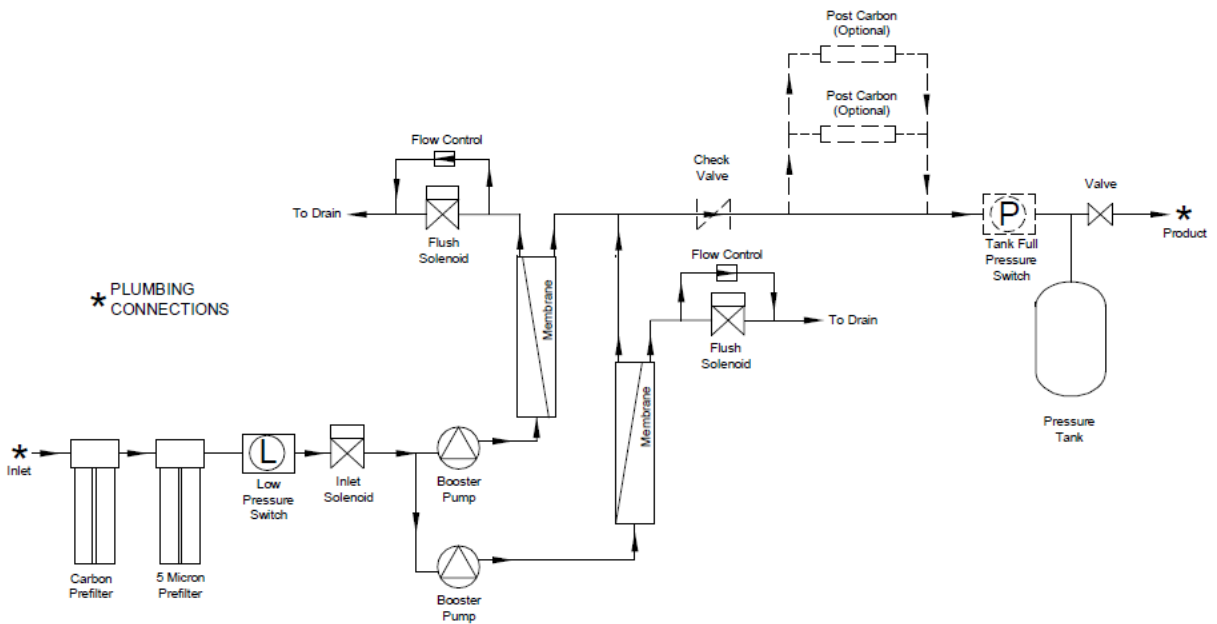
## CAN LC 800



# Flow Diagrams



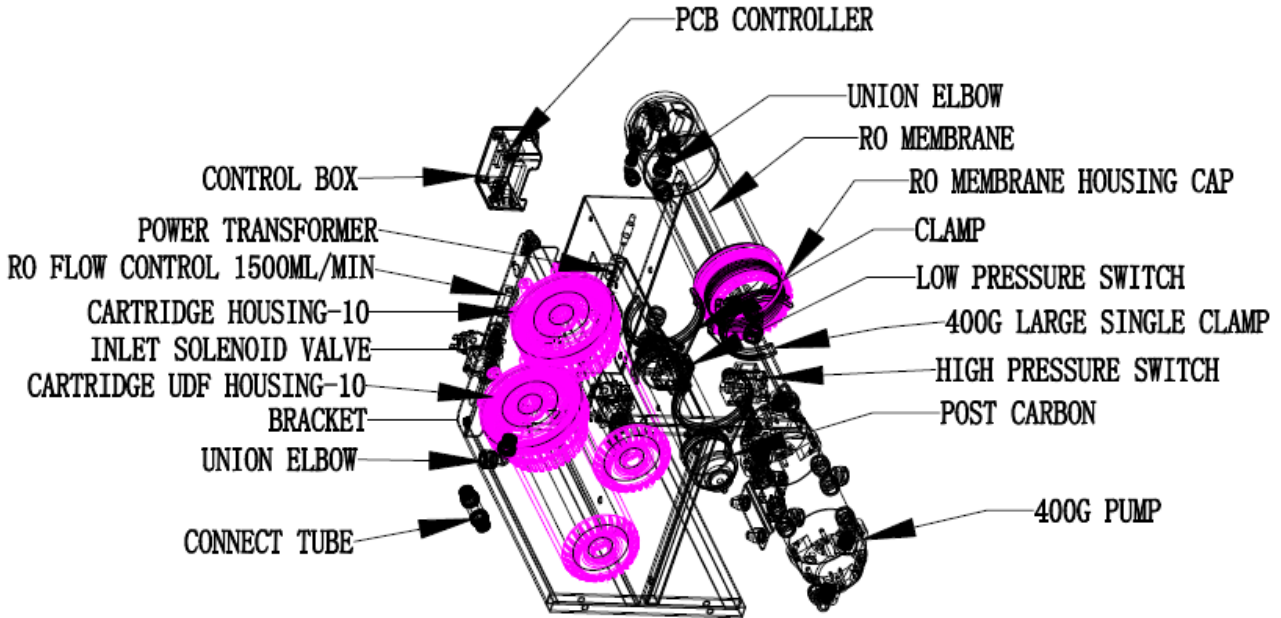
## CAN LC 400



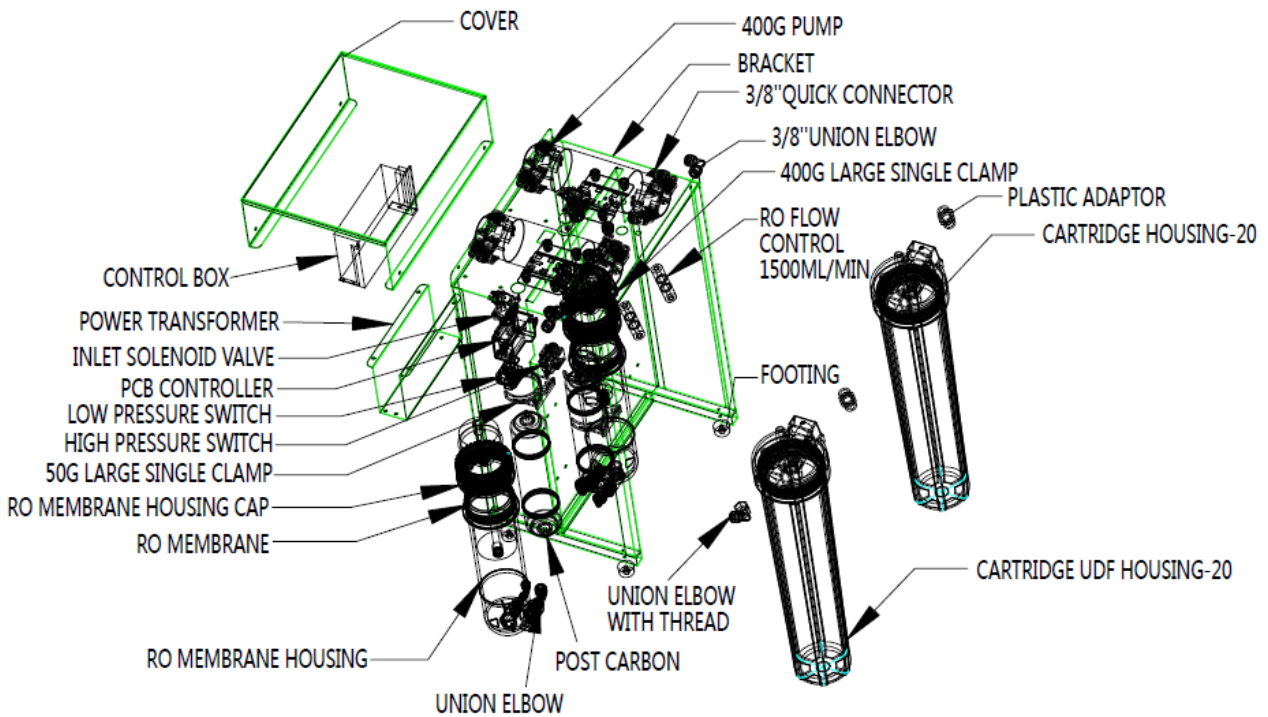
## CAN LC 800

# Parts List

## CAN LC 400



## CAN LC 800



## Trouble Shooting

PROBLEM	CAUSE	SOLUTION
<b>No product water.</b>	1. Water supply is turned off.	1. Turn on feed water.
<b>Not enough product water.</b>	1. Water supply is blocked.	1. Clear restriction.
	2. Filters are plugged.	2. Replace pre-filter cartridge (s).
	3. Feed water valve plugged or closed.	3. Open valve or unclog.
	4. No drain flow. Drain flow restrictor is plugged.	4. Clear or replace Flow Restrictor
	5. Drain saddle plugged.	5. Clear restriction.
<b>Pump not running.</b>	1. Low feed water pressure.	1. Check source water supply.
	2. No power supply or loose connection.	2. Turn on power supply.
	3. Transformer burnt out.	3. Replace.
<b>Pump running but system not producing water.</b>	1. Carbon pre-filter plugged.	1. Replace filter cartridge.
	2. Inlet solenoid valve not working.	2. Repair or replace solenoid valve.
<b>System does not shut off.</b>	1. High pressure switch not working.	1. Repair or replace high pressure switch.
<b>Abnormal pump cycling noise.</b>	1. Pre-filter plugged or low feed water pressure.	1. Replace filter or adjust or sufficient feed water.
<b>No water to drain.</b>	1. Plugged drain flow restrictor.	1. Replace drain flow restrictor.
<b>Water has bad taste.</b>	1. Post filter (CB-10) is exhausted.	1. Replace post filter
<b>Leaks</b>	1. Tubing connections not installed properly.	1. Re-install tubing into fitting.
	2. Defective tubing.	2. Cut damage section of tubing and re-install.

## Warranty

**Canature RO Systems** (excluding cartridge filters and membrane) are warranted to be free from defects in materials and workmanship under normal use within the operation specifications for a period of 1 (1) years from the date of manufacture or date of purchase when verified by a bill of sale.

**Canature North America Inc.** will replace any part which fails one (1) years from date of manufacture as indicated by the serial number or date code, provided the failure is due to a defect in material or workmanship. The only exception shall be when proof of purchase or installation is provided and then the warranty period shall be from the date thereof.

**Canature North America Inc.** assumes no responsibility for consequential damage, labour or expense incurred as a result of a defect or for failure to meet the terms of these guarantees because of circumstances beyond its control.